

High Pressure Cut-Off Valve

3

Product group

G PC S 032 K69 V01

Function

- 2/2 NC
- Pilot valve, switch function without restriction in terms of operating conditions (no counter pressure etc. necessary)
- Medium: H₂ (DIN EN 17124)
- Input pressure up to 1050 bar

Construction

- Compact design
- Small size
- Central fastening
- Protection class according to DIN EN 60529: IP6K9K if mounted properly and with suitable mating connector
- Electrical connection via plug Micro Quadlock 2-pole coding A

Application examples

- High-pressure cut-off valve

Standards and approvals

- IATF 16949
- Testing according to EC79

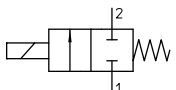
Options and accessories on request

- Valve block
- Various electrical plug connections
- ATEX version for stationary applications
- Customer-specific mechanical interface
- Protection switch for overtemperature
- Version for natural gas



Fig. 1: Type G PC S 032 K69 V01

Technical data

G PC S 032 K69 V01		
Function		2/2 NC
Control		PWM
Rated voltage U_N	(VDC)	12 (9 ... 16)
Rated Current I_N	(A)	2.9
Holding current	(A)	1.2
Resistance	(Ω)	2.3
Rel. duty cycle		S1 (100%) with holding current reduction
Ambient temperature	($^{\circ}\text{C}$)	-40 ... +85
Temperature medium	($^{\circ}\text{C}$)	-40 ... +85
Service life		> 50.000
Reaction time	(s)	< 1
Nominal width	(mm)	2.7
Kv	(m^3/h)	>0.19
Pressure	(bar)	0 ... 1050
Rated operating pressure (NWP)	(bar)	700
Maximum input pressure (MAWP)	(bar)	1050
Burst pressure	(bar)	> 1750
Flow direction		1 -> 2
Circuit diagram		
Media		H_2 (DIN EN 17124), neutrale Gase
Leakage P-seat	(mbar l/s (H_2))	2×10^{-4}
Leakage A-space	(mbar l/s (H_2))	2×10^{-4}

Rated voltage


Nominal voltages are listed in above table and are also standard values.

The devices correspond to protection class III. Electrical equipment of protection class III may only be connected to low voltage systems (PELV, SELV)(IEC 60364-4-41).

Supply availability

The shown device is a basic device as a basis for customer-specific developments and designs. Samples and variants on request.

Information and remarks concerning European directives can be taken from the correspondent information sheet which is available under *Produktinfo.Magnet-Schultz.com*.

Please make sure that the described devices are suitable for your application. Our offers for these devices are based on the assumption of maximal 8 in an FMEA severity table, i. e. in case of malfunction of the device model as offered, there is, amongst others, no jeopardy to life or limb. Supplementary information concerning its proper installation can be taken also from the  -Technical Explanation, the effective DIN VDE0580 as well as the relevant specifications.

This part list is a document for technically qualified personnel.

This publication is for information purposes only and is not to be regarded as a binding representation of the products, unless this is expressly confirmed by us.

Dimensional drawing

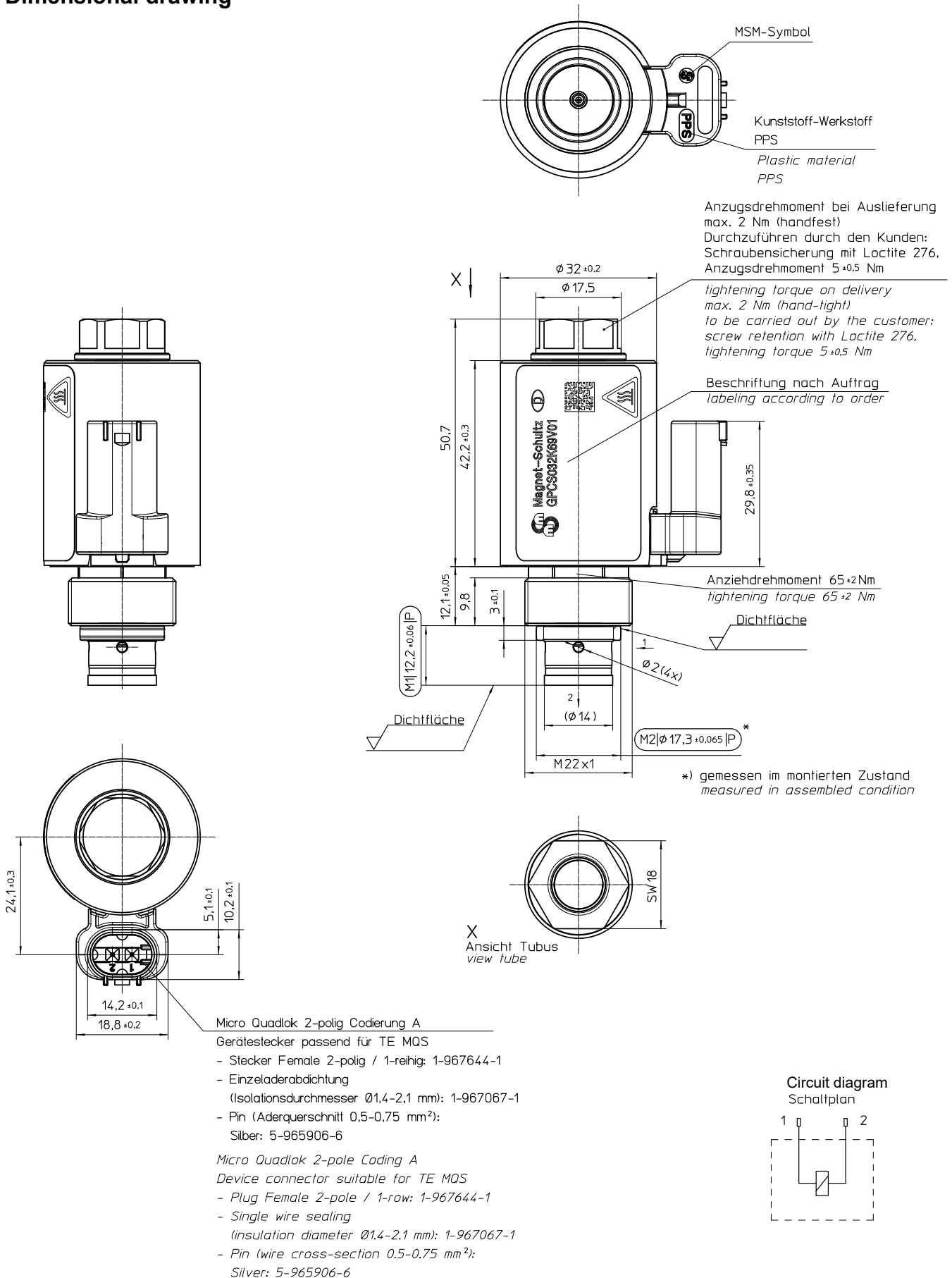


Fig. 2: Type G PC S 032 K69 V01 (G013958 Index f)

Connection diagram (sketch with guide values)

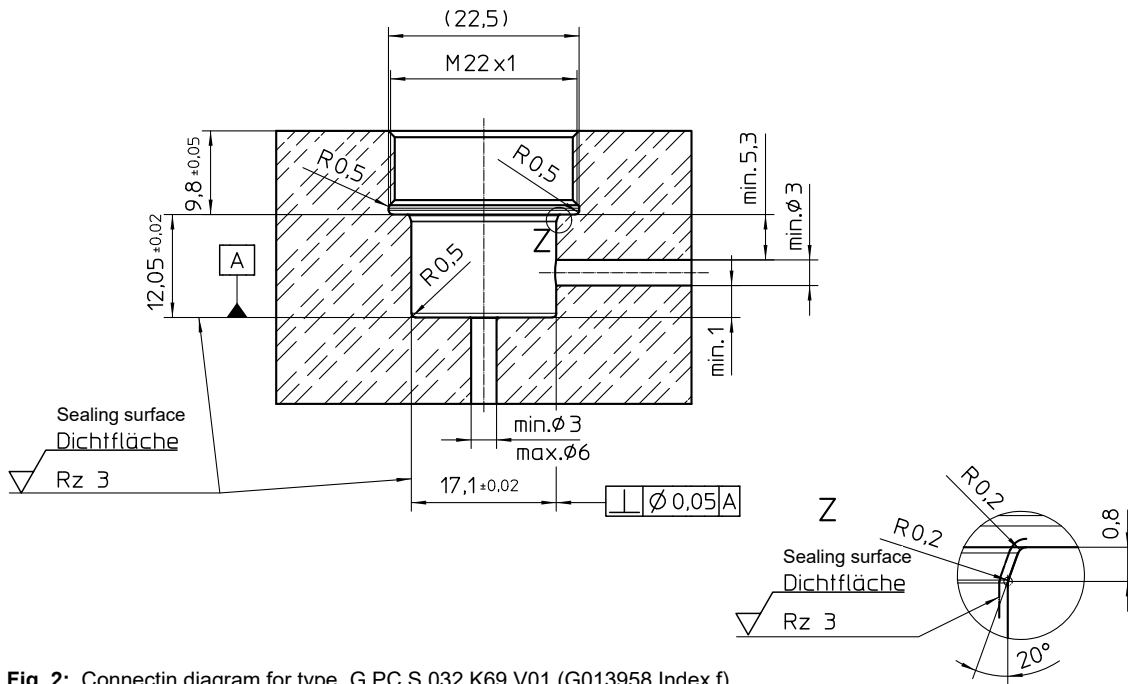


Fig. 2: Connection diagram for type G PC S 032 K69 V01 (G013958 Index f)

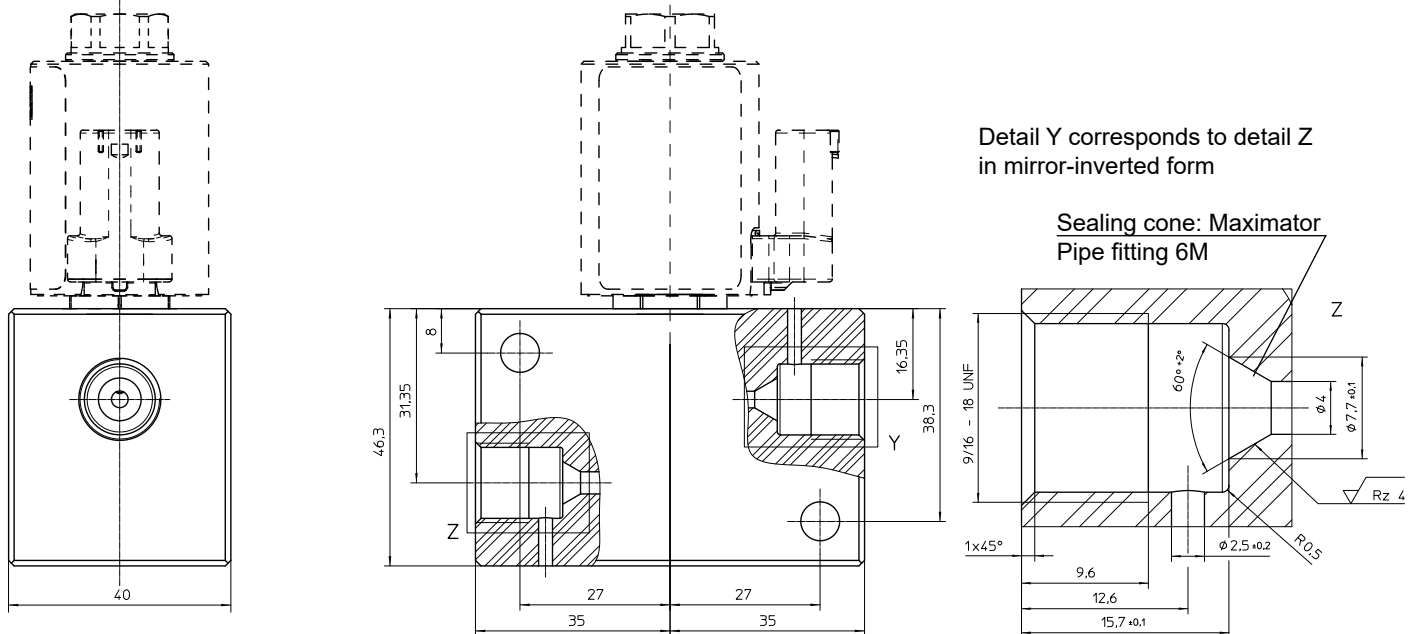
Order Example Valve

Type	G PC S 032 K69 V01
Voltage	== 12 V DC
Operating mode	S1 / 100% / HSA
Material no. ¹⁾	G013958001

1) optional specification

Accessories

Valve block E-G032-1220T1



Order example valve block

Type	E-G032-1220T1
------	---------------